

NOMENCLATURE

- | | |
|-------------------------|-------------------------------------|
| 1. Micromotor | 10. Forward/Reverse Switch |
| 2. Handpiece w/test bar | 11. Forward Pilot Lamp |
| 3. Nose Cone | 12. Reverse Pilot Lamp |
| 4. Motor Cord | 13. Main Pilot Lamp |
| 5. Motor Cord Plug | 15. Main Switch |
| 6. Control Unit | 16. Re-set Button |
| 7. Foot Control Lever | 17. Motor Cord Receptacle |
| 8. Power Cord w/Plug | 18. Irrigation Dispenser Receptacle |
| 9. Handle | |

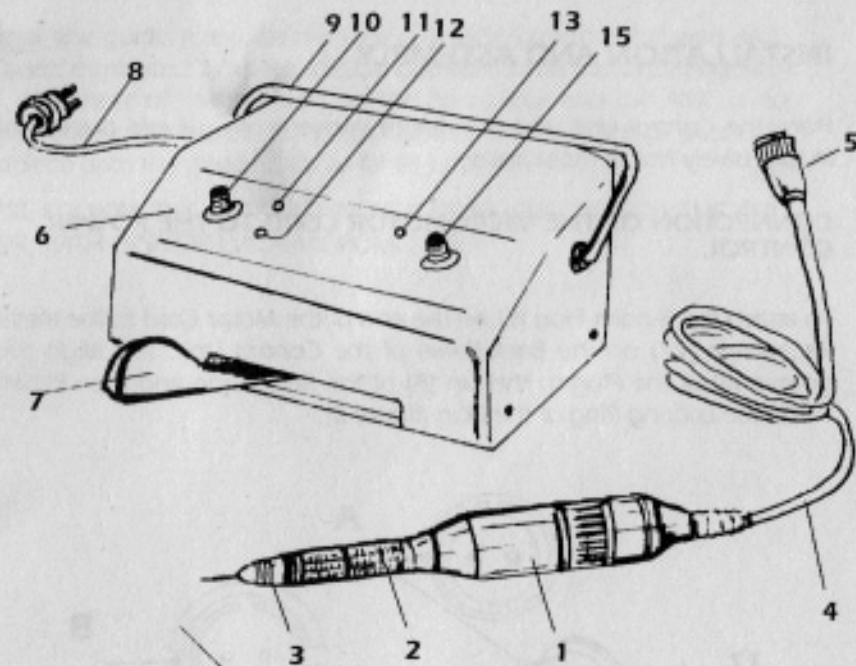
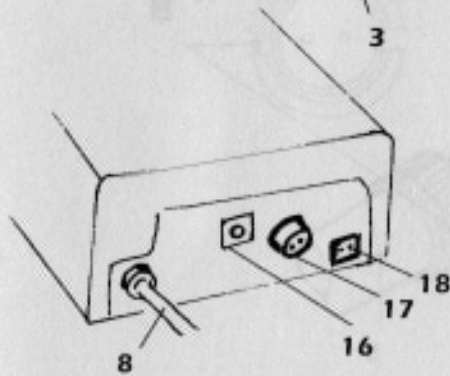


FIGURE 1



SPECIFICATIONS

Primary Voltage	120 Volts A.C. (or as specified at the time of purchase)
Frequency	50/60 HZ
Current	1.7 amperes (at 120 volts)
Weight	2.2kgs. (Control Unit only)
Micromotor	Model LVS
Motor Cord	MCS8, 8-ft straight cord

Power Unit	Model PEDO-15W
Handpiece	Model SH-28S or Model SH-29S
	1:1 Straight 2.7:1 Reduction
Variable Speed	800-15,000 300-5,500 RPM
Torque	360 g-cm 1,000 g-cm
Variable Voltage	DC 2.3 - 24 volts

Power Unit	Model PEDO-30W
Handpiece	Model SH-28S or Model SH-29S
	1:1 Straight 2.7:1 Reduction
Variable Speed	15,000-30,000 550-11,000 RPM
Torque	480 g-cm 1,000 g-cm
Variable Voltage	DC 2.5 - 48 volts

OPTIONAL HANDPIECES AND MICROMOTORS:

SH-28S or SH-28L	1:1 Lever Straight Handpiece
SH-29S or SH-29L	2.7:1 Reduction Lever Handpiece
SH-26S or SH-26L	1:1 Twist-Ring Straight Handpiece
SH-27S or SH-27L	20 degree Angle Twist-Ring Handpiece
SH-31S or SH-31L	1:2 Double Speed Straight Handpiece

CS Series Contra Shanks with Contra Heads

LHP-11	Non-autoclavable Heavy Duty Handpiece
LVS	Micromotor with junction
LVSA	LVS with autoclavable Motor Casing
LVSLA	LVS with extra long autoclavable casing

Consult current OSADA catalogs for other optional parts.